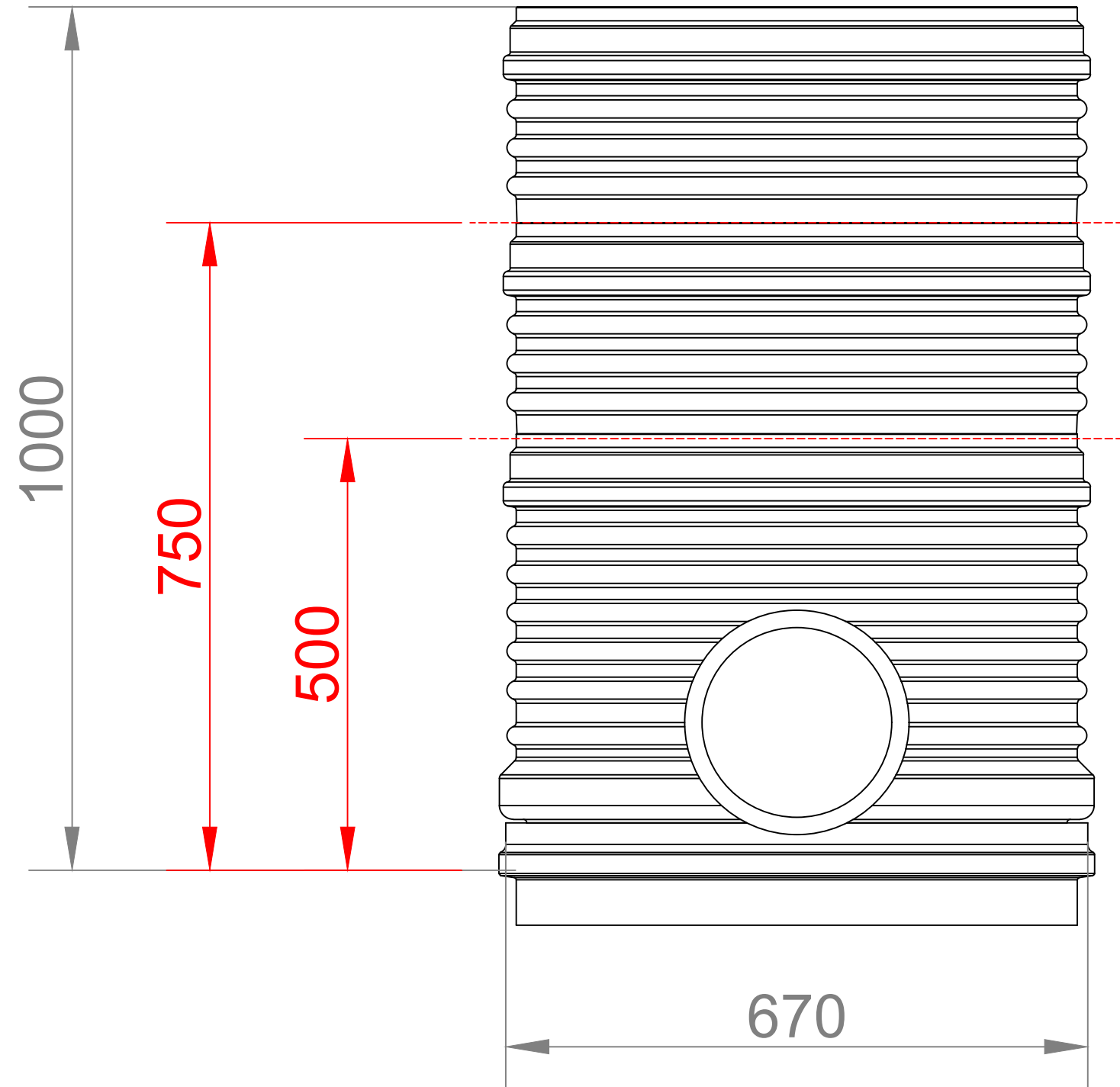


# Extension Sleeve (1m)



NOTE:- Tank accessory suitability may vary depending on project.  
Please contact Graf UK for sizing and support.

1m extension sleeve can be cut to 500mm or 750mm where required.

THIS DOCUMENT IS SUPPLIED IN STRICT CONFIDENCE AND MUST NOT BE LENT, REPRODUCED OR DISCLOSED TO ANY THIRD PARTY WITHOUT THE WRITTEN CONSENT OF GRAF UK LIMITED

**DO NOT SCALE - IF IN DOUBT ASK**

Notice: This drawing is issued only as a guideline and is an estimate of the materials required to construct the drainage system, it should not be used for construction purposes.

Graf UK Ltd makes no warranty or guarantee in relation to the suitability of any of the layout details shown on this drawing in relation to a particular scheme.

**NOTES:-**

1. All dimensions in mm, unless otherwise stated.
2. All dimensions are nominal and may vary within manufacturing tolerances.
3. All site temporary enabling works by others.
4. Graf products to be installed in strict accordance with Graf recommendations.
5. This drawing is intended for guidance only. Confirmation of the suitability for a particular project should be sought from the consulting engineers prior to final design or commencement of any construction works.

|      |                 |    |          |
|------|-----------------|----|----------|
| P0   | LATEST REVISION | FC | 10.11.22 |
| REV. | DESCRIPTION     | BY | DATE     |

**GRAF** GRAF UK Limited  
 GRAF UK Limited, Regen House, Beaumont Road, Banbury, Oxfordshire, OX16 1RH  
 T: 01608 661500 F: 01295 211333  
 E: info@grafuk.co.uk www.grafuk.co.uk

|              |                    |
|--------------|--------------------|
| DRAWN : FC   | DATE : 10.11.2022  |
| CHECKED : DS | SCALE : VARIOUS@A3 |

PROJECT  
**GRAF STANDARD DETAILS**

DESCRIPTION  
**GRAF EXTENSION SLEEVE (1m)**

|  |                   |
|--|-------------------|
| DRAWING No.<br>STANDARD_DETAIL_EXTENSION_SLEEVE_1M | REV.<br><b>P0</b> |
|--|-------------------|