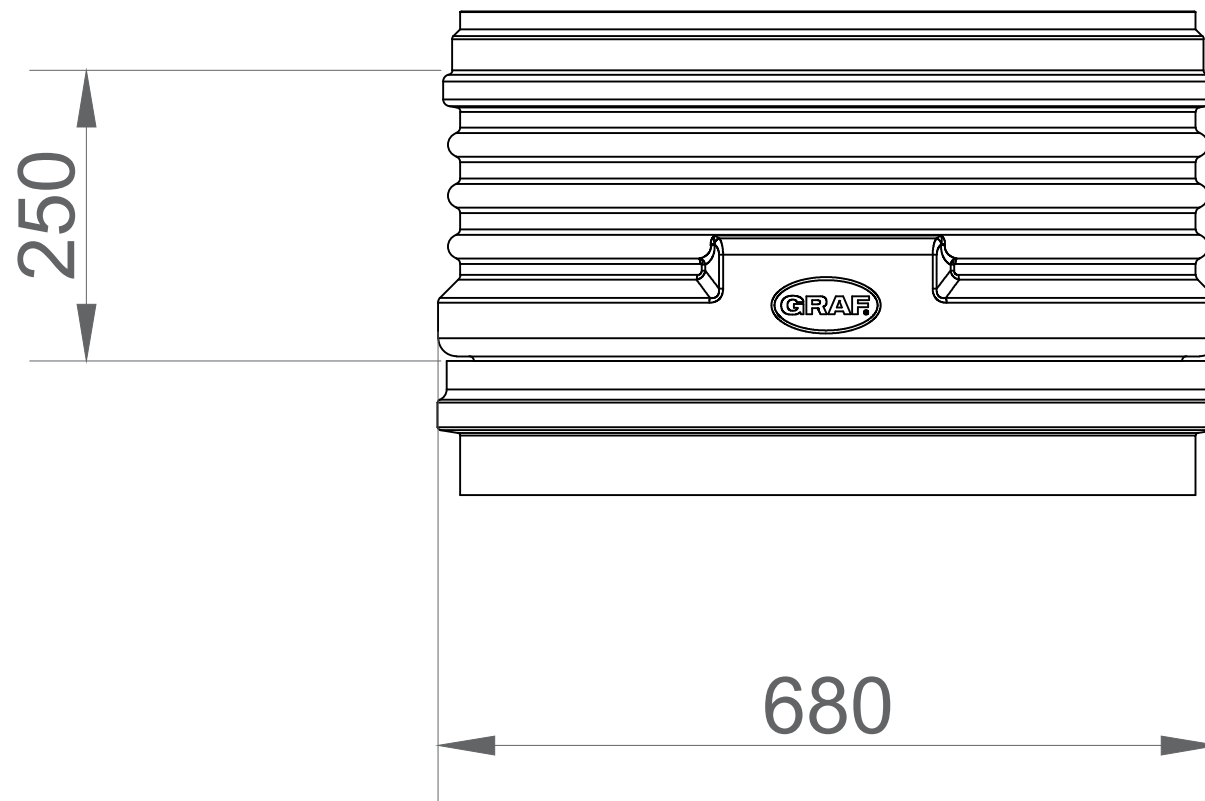


Extension Sleeve



NOTE:- Tank accessory suitability may vary depending on project.
Please contact Graf UK for sizing and support.

250mm of additional height once sleeve is inserted into tank and lid.

THIS DOCUMENT IS SUPPLIED IN STRICT CONFIDENCE AND MUST NOT BE LENT, REPRODUCED OR DISCLOSED TO ANY THIRD PARTY WITHOUT THE WRITTEN CONSENT OF GRAF UK LIMITED

DO NOT SCALE - IF IN DOUBT ASK

Notice: This drawing is issued only as a guideline and is an estimate of the materials required to construct the drainage system, it should not be used for construction purposes.

Graf UK Ltd makes no warranty or guarantee in relation to the suitability of any of the layout details shown on this drawing in relation to a particular scheme.

NOTES:-

1. All dimensions in mm, unless otherwise stated.
2. All dimensions are nominal and may vary within manufacturing tolerances.
3. All site temporary enabling works by others.
4. Graf products to be installed in strict accordance with Graf recommendations.
5. This drawing is intended for guidance only. Confirmation of the suitability for a particular project should be sought from the consulting engineers prior to final design or commencement of any construction works.

REV.	DESCRIPTION	BY	DATE
P0	LATEST REVISION	FC	10.11.22

GRAF GRAF UK Limited
GRAF UK Limited, Regen House, Beaumont Road, Banbury, Oxfordshire, OX16 1RH
 T: 01608 661500 F: 01295 211333
 E: info@grafuk.co.uk www.grafuk.co.uk

DRAWN : FC	DATE : 10.11.2022
CHECKED : DS	SCALE : VARIOUS@A3

PROJECT
GRAF STANDARD DETAILS

DESCRIPTION
GRAF EXTENSION SLEEVE

DRAWING No. STANDARD_DETAIL_EXTENSION SLEEVE	REV. P0
---	-------------------