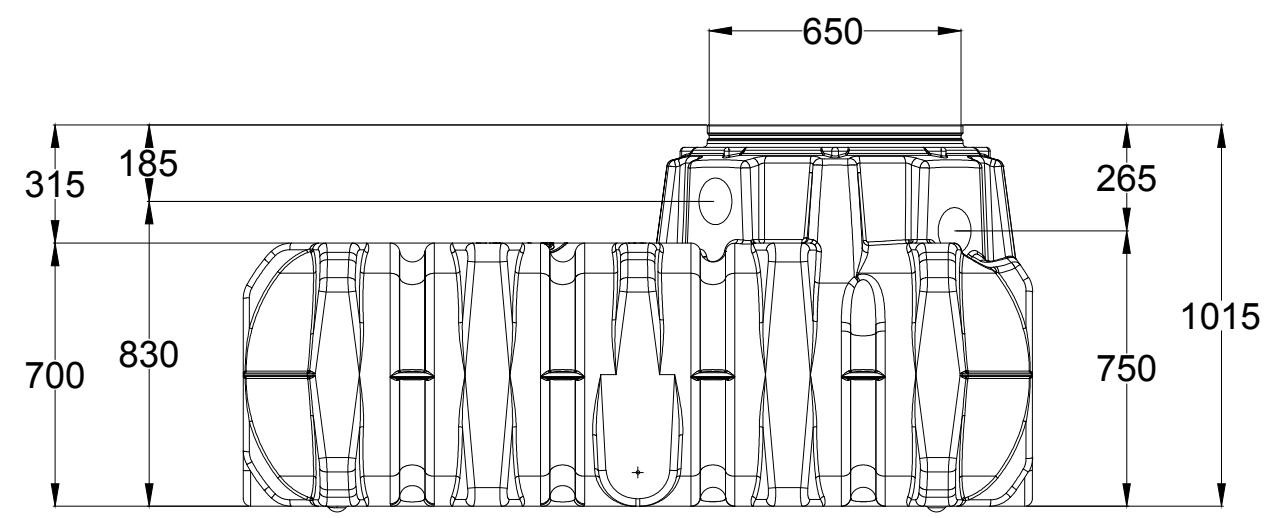
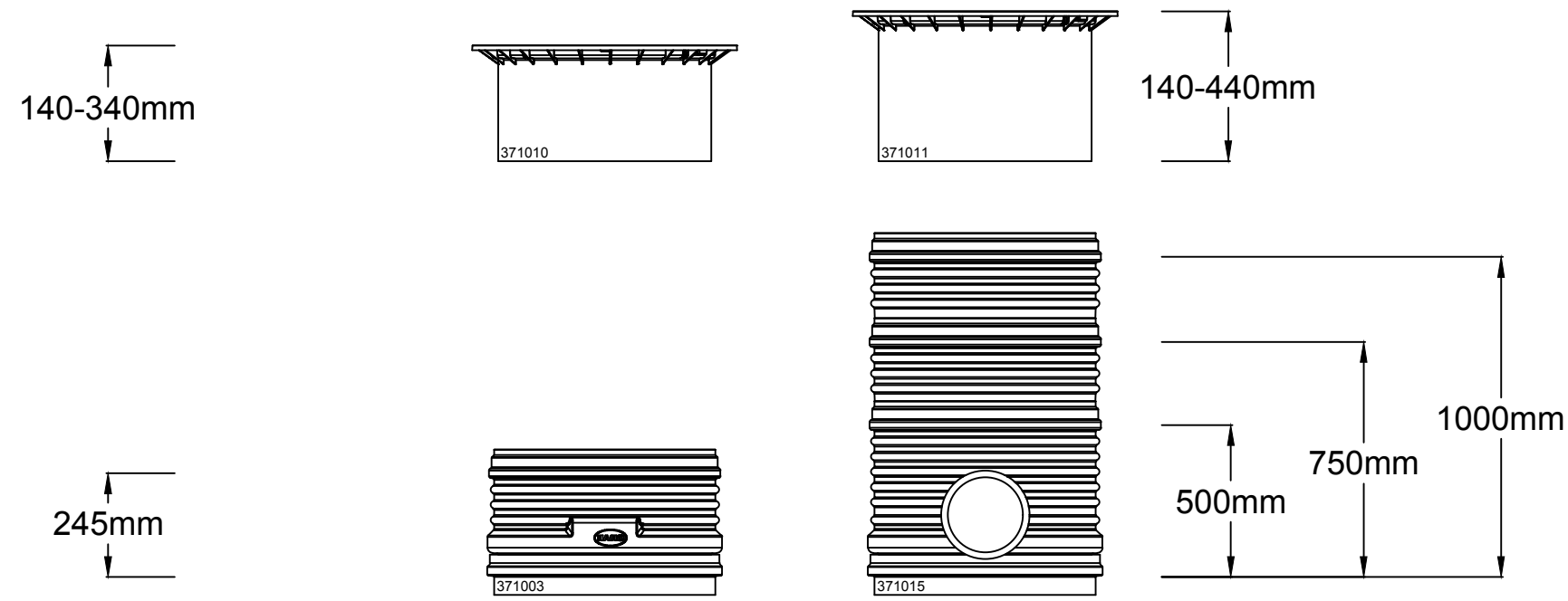


THIS DOCUMENT IS SUPPLIED IN STRICT CONFIDENCE AND MUST NOT BE LENT, REPRODUCED OR DISCLOSED TO ANY THIRD PARTY WITHOUT THE WRITTEN CONSENT OF GRAF UK LIMITED

DO NOT SCALE - IF IN DOUBT ASK

NOTES:-



P0	FOR GUIDANCE	DS	05.07.18
REV.	DESCRIPTION	BY	DATE

GRAF GRAF UK Limited

Graf UK Limited | Regen House | Beaumont Road | Banbury | OX16 1RH
 T: 01608 661500 F: 01295 211333
 E: info@grafuk.co.uk www.grafuk.co.uk

DRAWN :	DS	DATE :	05.07.18
CHECKED :	MC	SCALE :	NTS@A3

PROJECT
Rainwater Harvesting

DESCRIPTION

DRAWING No.	REV.
Platini Tank Levels	P0