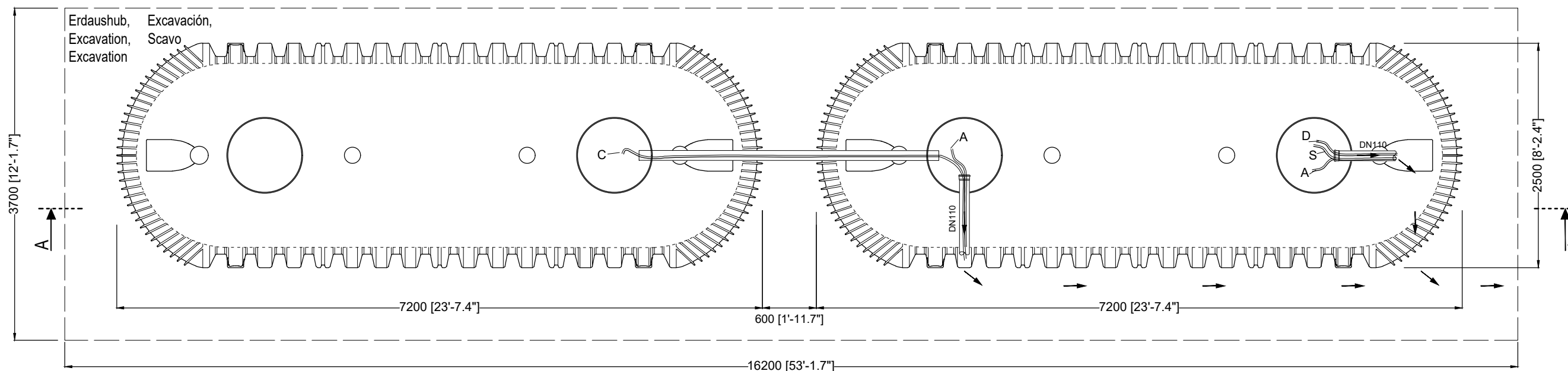


Vorklärung / Schlamm-speicher  
Pre-treatment / Sludge storage  
Traitement primaire / Stockage des boues  
Tratamiento primario / Almacenamiento de lodo  
Trattamento primario / Stoccaggio dei fanghi

Grundriss Abwasserbehandlung  
Top view wastewater treatment  
Plan de mise en oeuvre  
Planta tratamiento de aguas residuales  
Pianta del trattamento delle acque reflue

SBR Reaktor  
SBR-reactor  
Réacteur-SBR  
SBR-reactor  
SBR-reattore



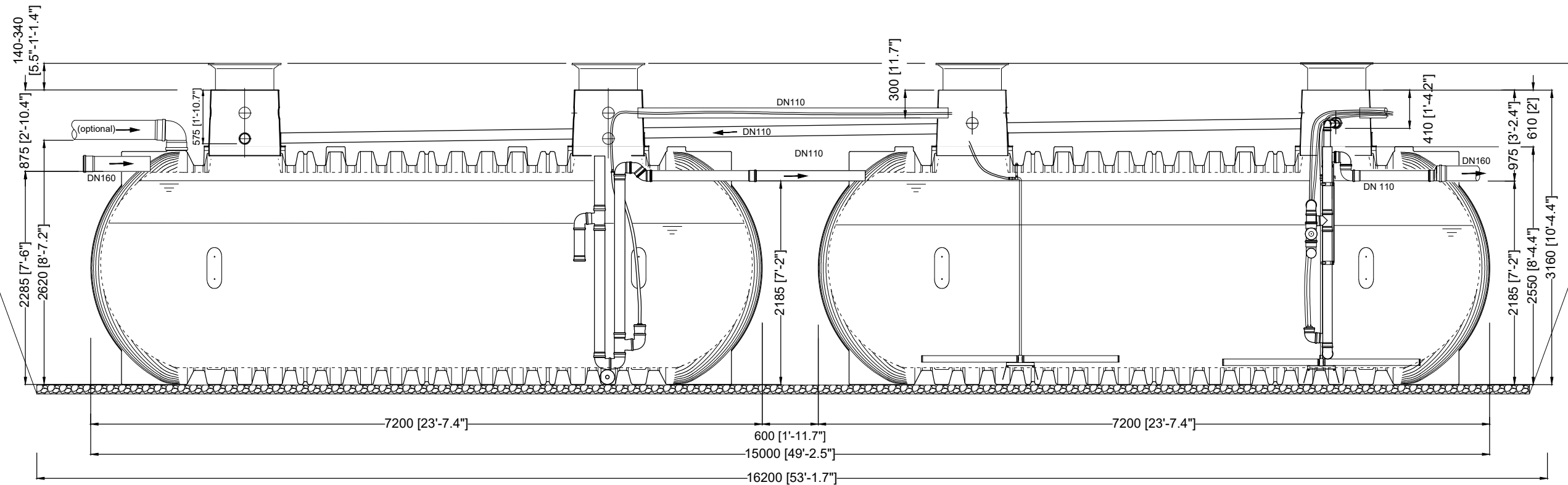
Grundriss Luftschläuche  
Top view compressed air  
Plan de raccordement des tuyaux d'air  
Vista superior tubería aire comprimido  
Pianta dei tubi di aria compressa

Luftschläuche, Compressed air, Tuyaux de pression, Mangueras de presión, Tubi di aria compressa

<b>A</b> Belüftung Aeration Aération Ventilación Ventilazione	25mm Ø (blau) 25mm Ø (blue) 25mm Ø (bleu) 25mm Ø (azul) 25mm Ø (blu)	<b>D</b> Klarwasserabzug Discharging lifter Évacuation des eaux traitées Drenaje de agua clara Scarico di acqua chiara	25mm Ø (schwarz) 25mm Ø (black) 25mm Ø (noir) 25mm Ø (negro) 25mm Ø (nero)
<b>C</b> Beschickungsheber Charging lifter Transfert Alimentación Alimentazione	25mm Ø (rot) 25mm Ø (red) 25mm Ø (rouge) 25mm Ø (rojo) 25mm Ø (rosso)	<b>S</b> Schlammrückführung Sludge return Recirculation des boues Recirculación lodos Ricircolo dei fanghi	25mm Ø (weiß) 25mm Ø (white) 25mm Ø (blanc) 25mm Ø (blanco) 25mm Ø (bianco)

<b>D</b> oneAdvanced 125 EW TD-Maxi + P 2 x Carat XXL 26000 L / 2 x 6868 gal.			Artikel-Nr. product no. article no. artículo no.	106126
<b>GB</b> oneAdvanced 125 inh. TD-Maxi + P 2 x Carat XXL 26000 L / 6868 gal.	<b>ES</b> oneAdvanced 125 PE Cúpula Maxi +P 2 x Carat XXL 26000 L / 6868 gal.	<b>FR</b> oneAdvanced 125 EH Maxi-dôme +P 2 x Carat XXL 26000 L / 6868 gal.	revision	1 / 2
gezeichnet drawn	ISC	Gewicht weight	Otto Graf GmbH Carl-Zeiss-Str. 2-6 DE-79331 Teningen mail@graf.info www.graf.info	
Datum date	2022.11.15	Toleranz tolerance	+/- 3%	
Maßstab scale	M 1:50	Einheiten units	mm [inch] gal. = US gal.	





Vorklärung / Schlamm-speicher  
 Pre-treatment / Sludge storage  
 Traitement primaire / Stockage des boues  
 Tratamiento primario / Almacenamiento de lodo  
 Trattamento primario / Stoccaggio dei fanghi

SBR Reaktor  
 SBR-reactor  
 Réacteur-SBR  
 SBR-reactor  
 SBR-reattore

A - A

D oneAdvanced 125 EW TD-Maxi + P 2 x Carat XXL 26000 L / 2 x 6868 gal.			Artikel-Nr. product no. article no. artículo no.	106126
GB oneAdvanced 125 inh. TD-Maxi + P 2 x Carat XXL 26000 L / 6868 gal.	ES oneAdvanced 125 PE Cúpula Maxi +P 2 x Carat XXL 26000 L / 6868 gal.	FR oneAdvanced 125 EH Maxi-dôme +P 2 x Carat XXL 26000 L / 6868 gal.	revision	2 / 2
gezeichnet drawn	ISC	Gewicht weight	Otto Graf GmbH Carl-Zeiss-Str. 2-6 DE-79331 Teningen mail@graf.info www.graf.info	
Datum date	2022.11.15	Toleranz tolerance	+/- 3%	
Maßstab scale	M 1:50	Einheiten units	mm [inch] gal. = US gal.	

