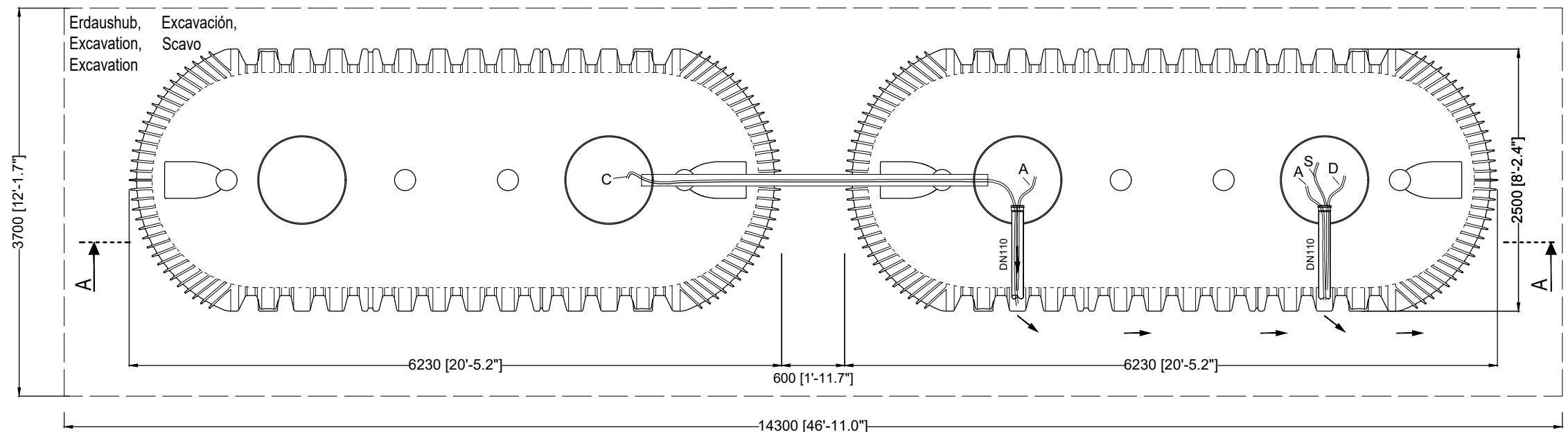


Vorklärung / Schlamm-speicher  
 Pre-treatment / Sludge storage  
 Traitement primaire / Stockage des boues  
 Tratamiento primario / Almacenamiento de lodo  
 Trattamento primario / Stoccaggio dei fanghi

Grundriss Abwasserbehandlung  
 Top view wastewater treatment  
 Plan de mise en oeuvre  
 Planta tratamiento de aguas residuales  
 Pianta del trattamento delle acque reflue

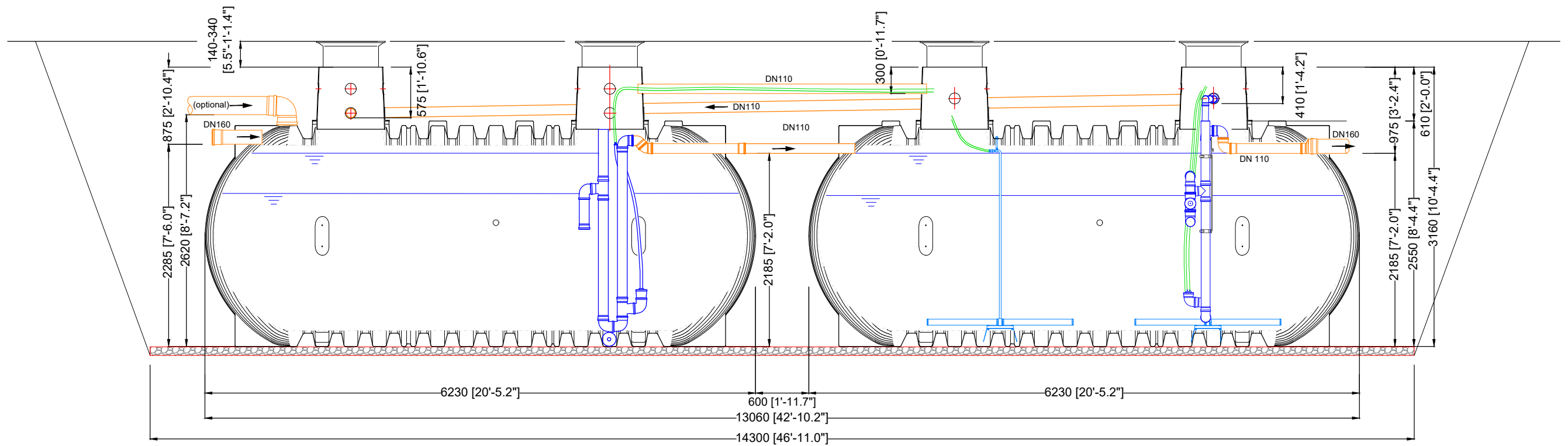
SBR Reaktor  
 SBR-reactor  
 Réacteur-SBR  
 SBR-reactor  
 SBR-reattore



Grundriss Luftschläuche  
 Top view compressed air  
 Plan de raccordement des tuyaux d'air  
 Vista superior tubería aire comprimido  
 Pianta dei tubi di aria compressa

Luftschläuche, Compressed air, Tuyaux de pression, Mangueras de presión, Tubi di aria compressa			
<b>A</b>	Belüftung Aeration Aération Ventilación Ventilazione	19mm Ø (blau) 19mm Ø (blue) 19mm Ø (bleu) 19mm Ø (azul) 19mm Ø (blu)	
<b>C</b>	Beschickungsheber Charging lifter Transfert Alimentación Alimentazione	19mm Ø (rot) 19mm Ø (red) 19mm Ø (rouge) 19mm Ø (rojo) 19mm Ø (rosso)	
<b>D</b>	Klarwasserabzug Discharging lifter Évacuation des eaux traitées Drenaje de agua clara Scarico di acqua chiara	19mm Ø (schwarz) 19mm Ø (black) 19mm Ø (noir) 19mm Ø (negro) 19mm Ø (nero)	
<b>S</b>	Schlammrückführung Sludge return Recirculation des boues Recirculación lodos Ricircolo dei fanghi	19mm Ø (weiß) 19mm Ø (white) 19mm Ø (blanc) 19mm Ø (blanco) 19mm Ø (bianco)	

D oneAdvanced 100 EW TD-Maxi 2 x Carat XXL 22000 L / 2 x 5812 gal.			Artikel-Nr. product no. article no. articolo no.
GB oneAdvanced 100 inh. TD-Maxi 2 x Carat XXL 22000 L / 5812 gal.	ES oneAdvanced 100 PE Cúpula Maxi 2 x Carat XXL 22000 L / 5812 gal.	FR oneAdvanced 100 EH Maxi-dôme 2 x Carat XXL 22000 L / 5812 gal.	106404
gezeichnet drawn ISC			revision 1 / 2
Datum date 2022.11.03	Gewicht weight	Otto Graf GmbH Carl-Zeiss-Str. 2-6 DE-79331 Teningen mail@graf.info www.graf.info	
Maßstab scale M 1:50	Toleranz tolerance +/- 3%	Einheiten units mm [inch] gal. = US gal.	




Vorklärung / Schlamm-speicher  
 Pre-treatment / Sludge storage  
 Traitement primaire / Stockage des boues  
 Tratamiento primario / Almacenamiento de lodo  
 Trattamento primario / Stoccaggio dei fanghi

A - A

SBR Reaktor  
 SBR-reactor  
 Réacteur-SBR  
 SBR-reactor  
 SBR-reattore



<b>D</b> oneAdvanced 100 EW TD- Maxi 2 x Carat XXL 22000 L / 2 x 5812 gal.			Artikel-Nr. product no. article no. articulo no. <b>106404</b>
<b>GB</b> oneAdvanced 100 inh. TD-Maxi 2 x Carat XXL 22000 L / 5812 gal.	<b>ES</b> oneAdvanced 100 PE Cúpula Maxi 2 x Carat XXL 22000 L / 5812 gal.	<b>FR</b> oneAdvanced 100 EH Maxi-dôme 2 x Carat XXL 22000 L / 5812 gal.	revision <b>2 / 2</b>
gezeichnet drawn <b>ISC</b>	Gewicht weight	<b>Otto Graf GmbH</b> Carl-Zeiss-Str. 2-6 DE-79331 Teningen mail@graf.info www.graf.info	
Datum date <b>2022.11.03</b>	Toleranz tolerance <b>+/- 3%</b>		
Maßstab scale <b>M 1:50</b>	Einheiten units mm [inch] gal. = US gal.		