

## Instruction for installation GRAF Pump packages house Professional + Silentio Press

**Pump package house  
Professional**

**Order No. 342016**

**Pump package house  
Silentio Press**

**Order No. 342015**



The points described in these instructions must be observed under all circumstances. All warranty rights are invalidated in the event of non-observance. Separate installation instructions are enclosed in the transportation packaging for all additional articles purchased from GRAF.

Missing instructions must be requested from us immediately.

The tank must be checked for any damage prior to insertion into the trench under all circumstances.

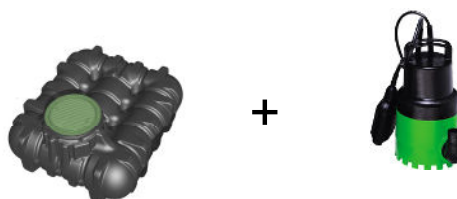
Missing instructions can be downloaded on [www.graf.info](http://www.graf.info) or can be requested from GRAF.

### Table of contents

<b>1. GENERAL NOTES</b>	<b>6</b>
1.1 Security	6
1.2 Identification obligation	6
<b>2. SCOPE OF SUPPLY MAIN COMPONENTS</b>	<b>6</b>
<b>3. INSTALLATION OF TECHNICAL PARTS</b>	<b>7</b>
3.1 Rainwater storage tank Carat / for example Pump package house Professional	7



3.2 Rainwater underground tank Platin / for example Pump package house Silentio Press	8
---	---



## 1. General notes

### 1.1 Security

The relevant accident prevention regulations according to BGV C22 must be observed during all work. Particularly when walking on the tanks, a 2nd person is required to secure the tank.

The relevant regulations and standards must additionally be taken into consideration during installation, assembly, servicing, repair, etc. Relevant notes can be found in the corresponding sections of these instructions.

During all work on the system or parts of the system, the entire system must always be rendered inoperable and secured to prevent unauthorised reactivation.

GRAF offers an extensive range of accessories, all of which are designed to match each other and which can be extended to form complete systems. The use of accessories that have not been approved by GRAF results in the exclusion of the warranty/guarantee.

### 1.2 Identification obligation

**The water in these systems is not suitable for consumption or personal hygiene.**

All pipe work and outlets of the water systems are to be labelled with the words **“Not drinking water”** either in words or graphically (German norm DIN 1988 Part 2, paragraph 3.3.2.) so that after years of use, an accidental connection to the drinking water system is prevented. Even when correctly labelled it may possibly be mistaken, for example by children. For this reason, all the outlets of the systems process water must be fitted with **child safe valves**.

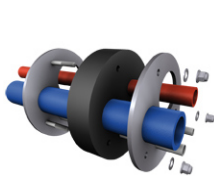
## 2. Scope of supply main components



- Drinking water feeding module Aqua-Center Silentio including domestic waterworks KSB-Superinox 15/4
- Drinking water feeding module Aqua-Center Silentio Press including domestic waterworks KSB-Superinox 15/4 and Submerged pump 300 A



- Floating water extraction unit (Pump package house Professional)
- Submersible pump 300 A (Pump package house Silentio Press)



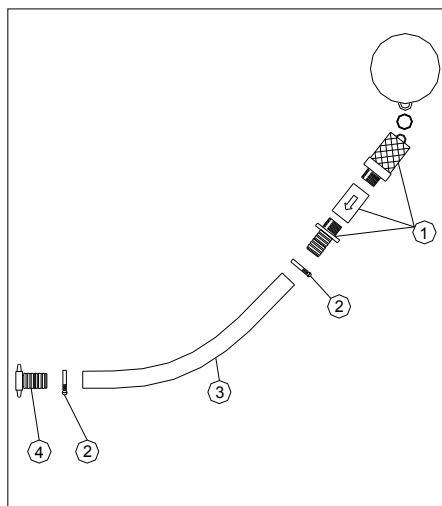
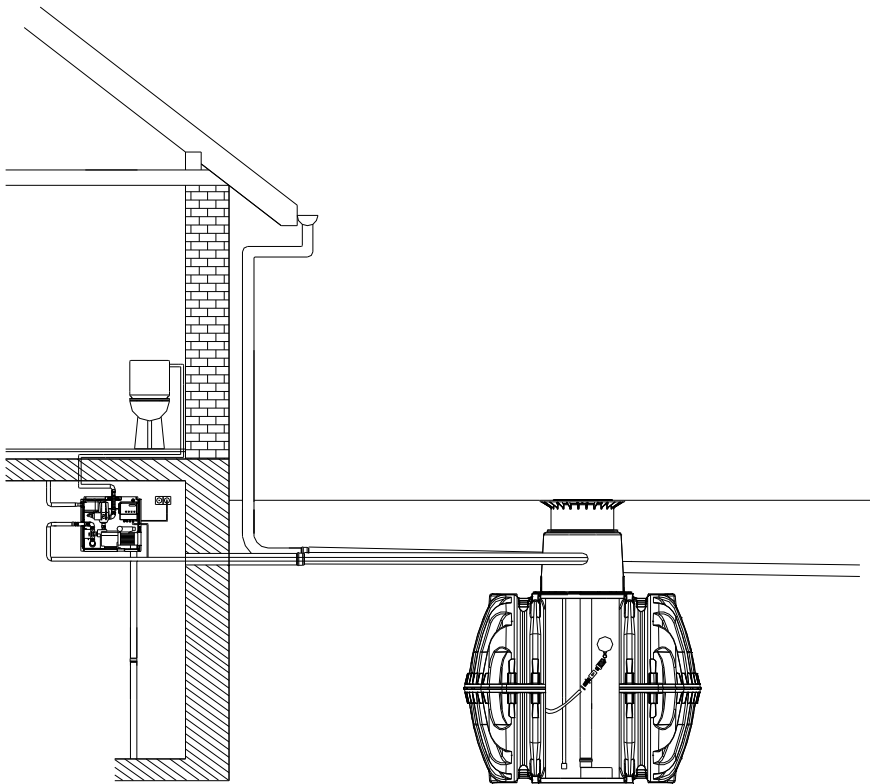
- Wall duct DN 150 / Reversible flow filter



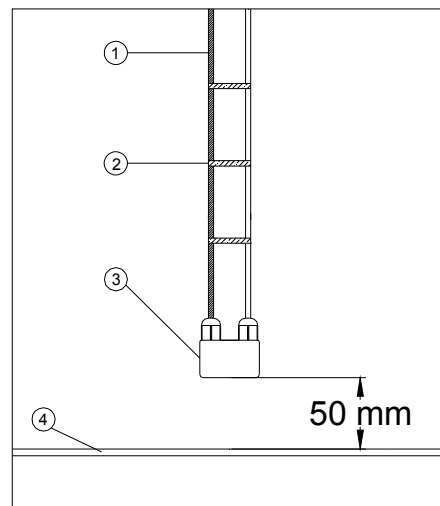
- Labelling set

### 3. Installation of technical parts

#### 3.1 Rainwater storage tank Carat / Pump package house Professional



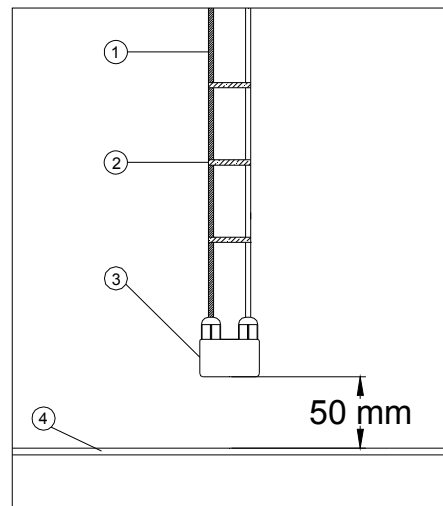
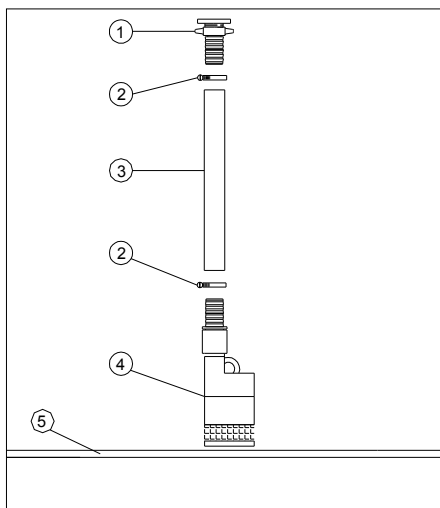
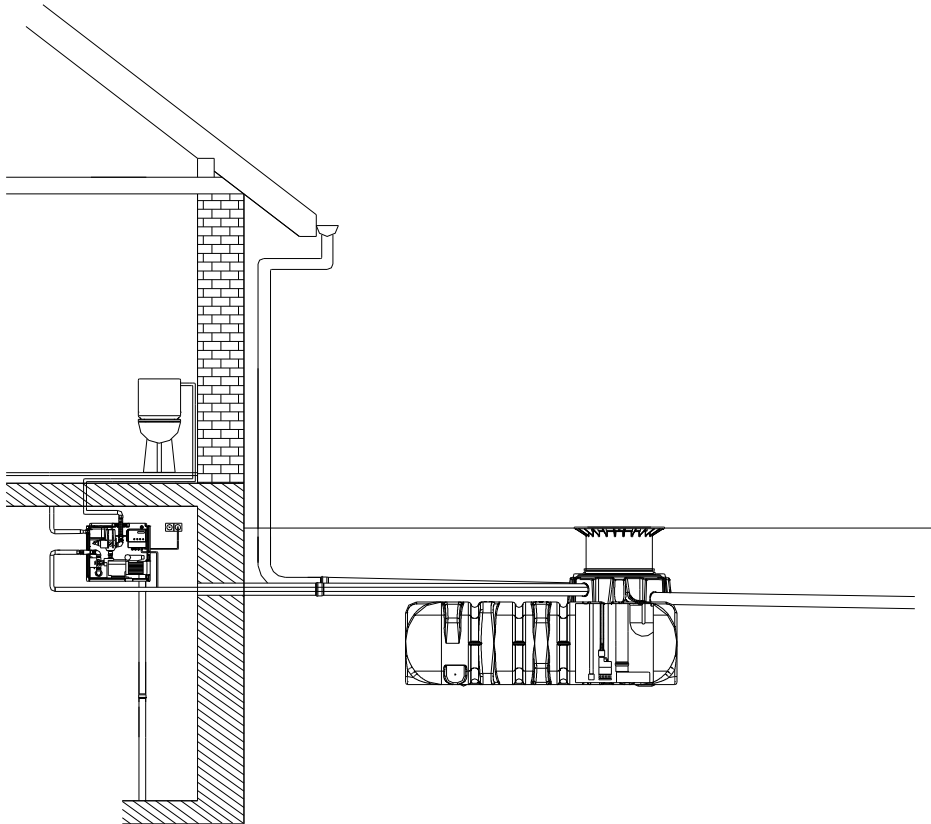
- ① Floating suction set
- ② Hose clip
- ③ Suction hose
- ④ Brass hose screwing



- ① Connection cable
- ② Distance piece
- ③ Weight
- ④ Tank base

### 3. Installation of technical parts

#### 3.2 Rainwater underground tank Platin / Pump package house Silentio Press



- ① Brass hose screwing
- ② Hose clip
- ③ Special suction and pressure hose
- ④ Submersible pump 300 A
- ⑤ Tank base

- ① Connection cable
- ② Distance piece
- ③ Weight
- ④ Tank base