

Drinking water reservoir

Carat S / Platin Drinking water reservoir



Carat drinking water reservoir
(without tank cover – see below)

Volume [l]	Volume [US gal.]	Order no.
2,700	700	370600
3,750	1,000	370601
4,800	1,250	370602
6,500	1,700	370603
10,000 ¹⁾	2,640	370605

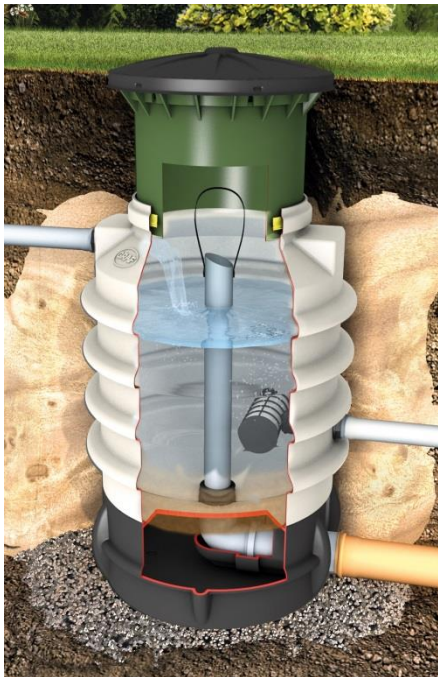


Platin drinking water reservoir
(without tank cover – see below)

Volume [l]	Volume [US gal.]	Order no.
1,500	400	390600
3,000	800	390601
5,000	1,325	390602

Carat S - Drinking water reservoir

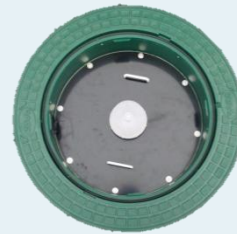
Spring water shaft & Telescopic dome shaft



- Ventilating and de-sanding spring water
- Food-safe design with test certificate
- Universal use for regulating, sampling, breaker shaft, or spring measurement
- Dimensions: 730 mm height: 1200 – 1500 mm

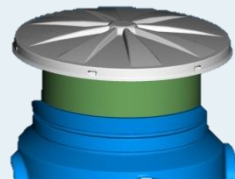


Telescopic dome shaft with cover



Illus. without outer cover

- Continuously variable
- Sealed and lockable using a special key
- Internal second cover sealed and lockable with ventilation, insect protection



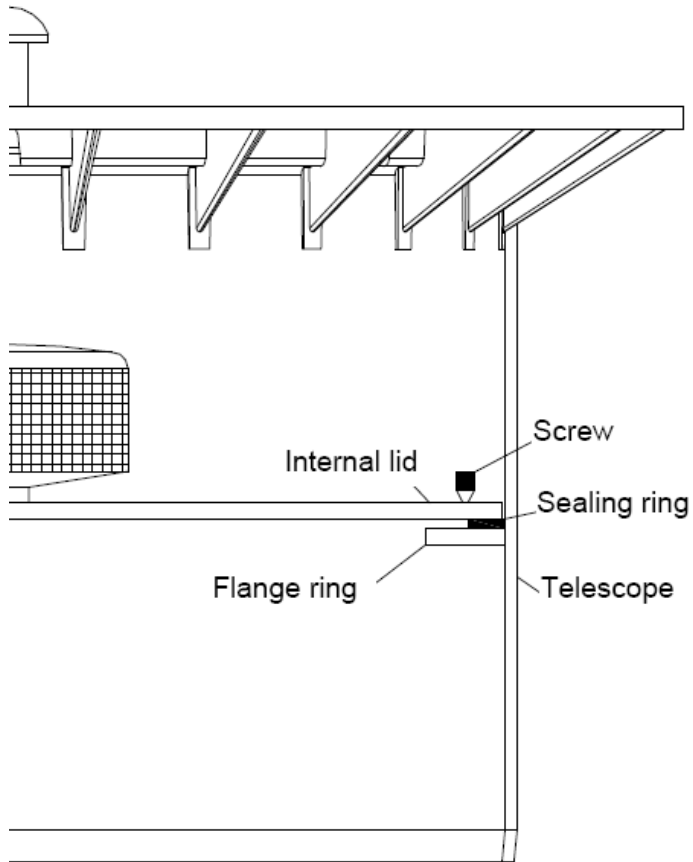
Telescopic dome shaft Maxi with lid and DW-cover

- Cost-effective solution for drinking water tanks
- Stable and durable

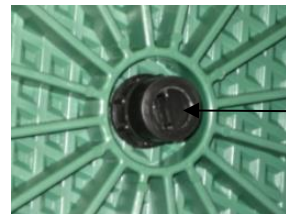
Carat S – Drinking water reservoir Cover



- **Illus. without outer cover**



- **Illus. with outer cover**



Upper view